



EXTREME ROTARY VALVE

Heavy Duty Valve

Since 1964 the PERMA/flo "XT & XL" Extreme Rotary Valve has been considered the valve of choice by customers who demand long life, rugged durability, ease of maintenance and high quality.

Though the basic footprint of the "XL" has remained unchanged since its inception, the "XT" series was added. The "XT" enhancements were made by increasing the throat size on the 6" through 12" models. The increased throat is an additional 82% larger than the previous design. This was achieved by increasing the number of pockets in the rotor from nine to ten. In turn, this allows the inlet shoe to widen, exposing a two-pocket width in lieu of one. The extra width minimizes possible bridging, while increasing pocket fill efficiency. Sizes 14" through 24" remain our traditional "XL" design.

The "XL" and "XT" series, can be applied as rotary feeders and airlocks. Both the "XL" and "XT" series of rotary valves feature a unique design that offers adjustment between the rotor and the seal shoe. This adjustability enables the rotor to seal shoe gap to be maintained providing the tightest seal possible throughout the life of the unit.

Both the rotor and seal shoe are constructed of a special chrome-iron alloy called P-33. This alloy yields a hardness of 500-600 Brinell. Unlike other valves that feature a surface hardening, P-33 is a solid alloy casting that does not wear off to expose a softer metal base.

Note: Adjusting and maintaining a tight gap between the rotor & seal shoe can be made while the valve is in place.



Standard Features:

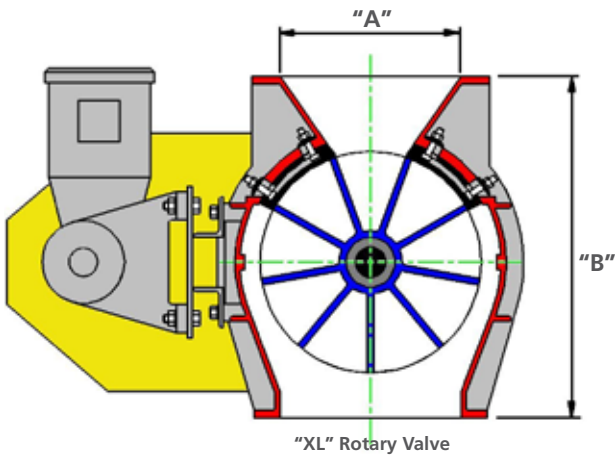
- P-33 Alloy Closed End Rotor & Inlet Wear Shoe
- Field Adjustable Rotor To Shoe Clearance
- Heavy Cast Iron Housing
- Outboard Mounted Bearings
- Extreme Duty Shaft (No Shear Pins Required)
- Shaft Air Purge Ports
- Four Inspection Ports



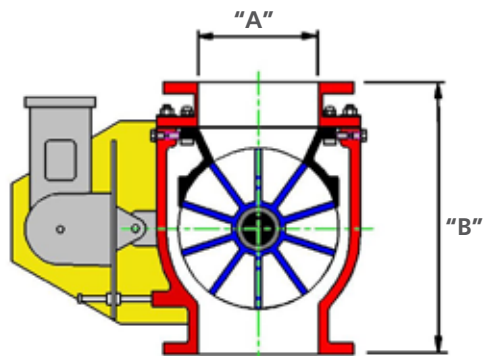


EXTREME ROTARY VALVE

Heavy Duty Valve



"XL" Rotary Valve



"XT" Rotary Valve

Size "A"	6"	8"	10"	12"	14"	16"	18"	24"
Model	"XT"	"XT"	"XT"	"XT"	"XL"	"XL"	"XL"	"XL"
Capacity: Ft ³ Per Rev. @ 100% eff.	0.20	0.375	0.60	1.00	1.60	2.70	2.70	6.00
Overall Height (inches) "B"	20"	22"	24"	27"	29.75"	30"	34"	46.5"
HP (Fixed Speed)	0.5	0.5	1.0	1.0	3.0	3 or 5	3 or 5	7.5
HP (Variable Speed/Inverter Duty)	1.0	1.0	1.5	1.5	3 or 5	3 or 5	3 or 5	7.5
Approximate Weight w/Drive (Pounds)	800	1100	1300	1700	2100	2700	2700	4000
Number of Rotor Pockets	10	10	10	10	9	9	9	9
Rotor & Shoe Material	(550 BHN) P-33 Chrome Nickel Iron Alloy							
Housing Material	Cast Iron							
Inlet & Discharge Flange	Round (150# ANSI Drilling)					16" sq	18" sq	24" sq
Bearings	Outboard							
Temperature Rating (Standard)	500°							
Temperature Rating (High)	1000°							



Clyde Bergemann Power Group Americas Inc.
Materials Handling Product Division

33 Sproul Road
Malvern, Pennsylvania 19355
USA

1-800-238-2974
T: 610-695-9700
F: 610-695-9724

Website: www.cbpg.com
eMail: info@us.cbpg.com